

Installation Instruction



Size : 90x90x210cm

Honored users :

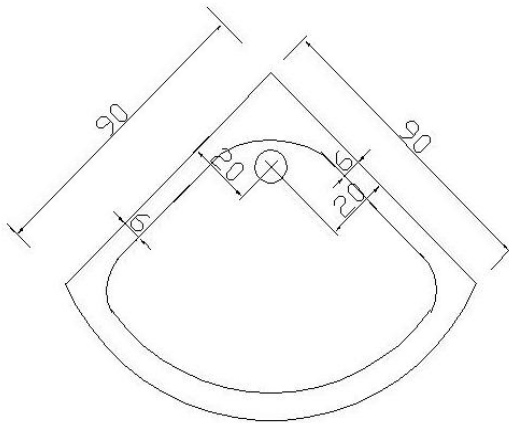
Thanks for buying our products . For your safety, please read this instruction manual carefully before the installation and using of this show unit.

Content :

| | |
|------------------------------|---|
| 1 Preparations ----- | 2 |
| 2 Installation Process ----- | 4 |

1. Preparations

1.1 Install two water supply holes (one for cold and another for hot), one drainage hole (diameter $\geq 5\text{cm}$) according to the drawing of the tray.



1.2 Check the products and spare parts inside the package
all the parts are packed in three cartons .



1.3 Tear off the protective cover on the tray and the back panel.

Parts list :

| Positions | Name | Quantity |
|------------------|---|-----------------|
| <u>A1</u> | Back panel | 1 pcs |
| <u>A2</u> | Tray | 1pcs |
| | arc | 2pcs |
| | shower head | 1pcs |
| <u>A3</u> | fixed glass | 2pcs |
| | sliding glass | 2pcs |
| | waterproof strip | 2pcs |
| | mangetic seal | 2pcs |
| | Instruction manual | 1pcs |
| | rollers | 1 bag |
| | screw,clip&other accessories | 1bag |
| | rubber strip | 2pcs |
| | alloy profile | 2pcs |
| | handle | 2pcs |

2. Installation process

Switch Part



pic 1



pic 2



pic 3



pic 4

1. Retreat the screw in the switch cover with the screwdriver (pic one)

2. then attach it firmly to the plastic salient in the picture two

3. push the screw the into the plastic as showed in picture three .

4. Finished by placing the colorful cap back into the hole (pic 4)

Flexible Handheld Showe Head



pic 5



pic 6



pic 7



pic 8

5. Fixup the bar (pic 5) to the predrilled holes with screw(pic 6) and plastic cap(pic 8)

in the back of the panel . Finished as pic 9.



pic 9



pic 10



pic 11

6. press the nob then bracket can be moved smoothly alongside the bar to the position that you want . The back panel finishes as pic 11

Glass frame



pic 12



pic 13



pic 14



pic 15

7. connect the arc and the alloy profile to make a frame as picture 12

8. fix the plastic rubber to the both arcs to stop the sliding glass . Hole are predrilled . as picture 13

9. cover the fixed glass with the rubber strip then embed it firmly into the alloy profile . as shown in pic 14 and 15.. as shown in pic 14 and 15.



pic 16



pic 17



pic 18



pic 19

10. push the cilp hard against the glass to search for the right positioning for drilling . as in pic 16

11. fix the glass to the frame with a screw and screwdriver . As shown in pic 17

12. assmble the roller to the holes that are predrilled on the sliding glass , make sure that the roller is not firmly fastened ,otherwise the it can not get into the orbit in the arc . As pic 18

13. firstly ,place the double rollers into the upper orbit , then push the nob on the bottom roller , the orbit will let in the wheel . As shown in pic 19



pic 20



pic 21



pic 22



pic 23

14. twist the screw as in pic 20 to make adjustment to the height of the glass frame .

15. assemble the handle to the predrilled hole ,as in pic 21

16. cover the sliding glass door with the magnetic seal , as in pic 22

17. Cover the other end the glass with the waterproof strip ,as in pic 23



pic 24



pic 25



pic 26



pic 27

18. the glass frame finishes as pic 24

19. put both the glass frame and back panel onto the tray as shown in pic 25

20. make adjustment to each part then drill the positioning hole on the alloy profile and trays

according to holes predrilled on the back panel . As shown in pic 26

21. installing completed by fix up all the screws .